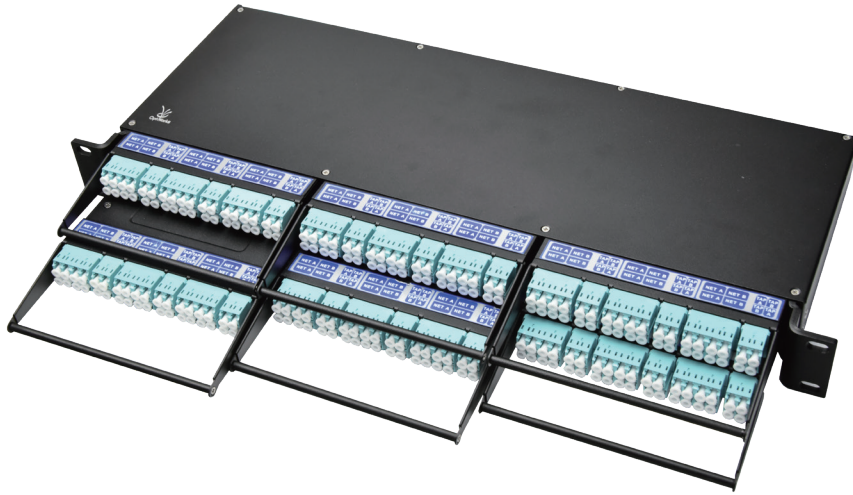


High-Density Module

High Density Fused Tap Module



Key Features

- Low Insertion Loss
- High Density Tap Links (36 links in a 19 inch 1RU chassis)
- Easy Installation with Magnet Fixture

Applications

- Network Security Monitoring
- Traffic Analysis



High-Density Module

High Density Fused Tap Module

Parameter Specifications: SM Tap Modules

Parameters	Performance Specifications				Units
Operating Wavelength	1310±20nm or 1550±20nm		1310/1550±20nm		nm
Configuration	1x2				-
Split Ratio	50:50	30:70	50:50	30:70	dB
Insertion Loss	3.6/3.6	2.0/6.1	3.6/3.6	2.0/6.1	dB
PDL	0.2				dB
Return Loss	≥45				dB
Directivity	≥50				dB
Fiber Type	SMF-28e+				-
Connector / Adapter Type	LC/UPC, or MTP/UPC				-
Package Dimension	165x138x18				mm

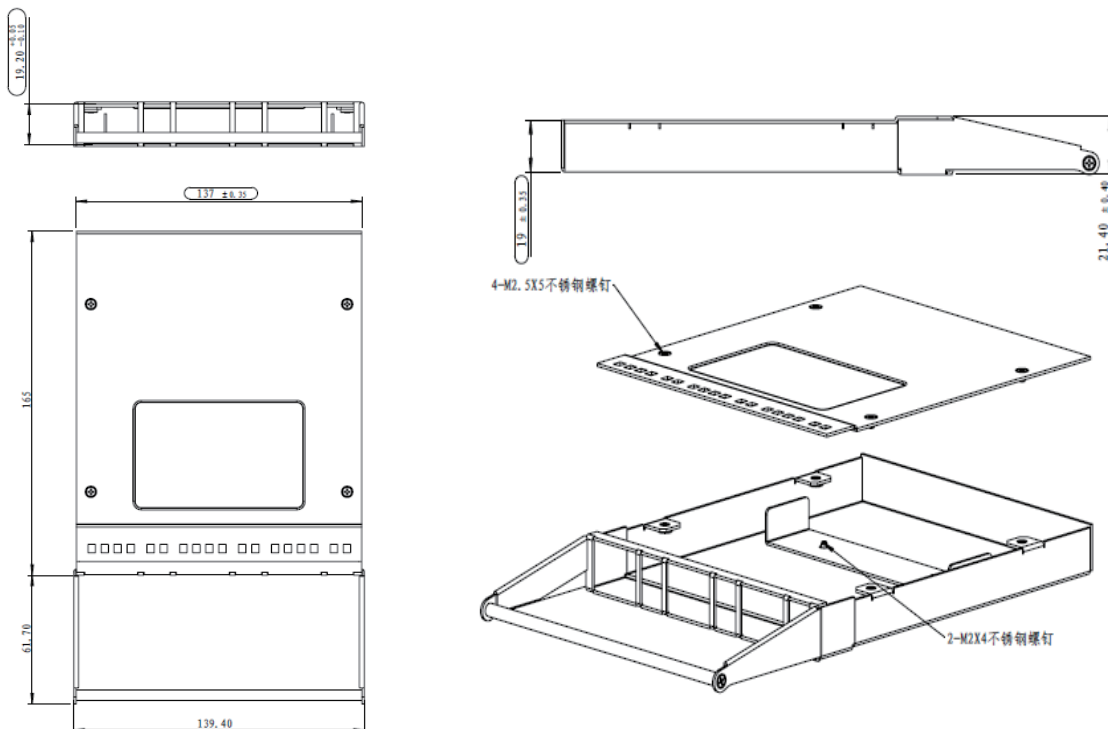
Notes:
1. Above parameters are including connector.

Operating Conditions

Parameters	Performance Specifications	Units
Maximum Power handling	500	mW
Operating Temperature	-5 ~ +70	°C
Storage Temperature	-40 ~ +85	°C

Mechanical Dimensions

Cassette for 36 LC connectors



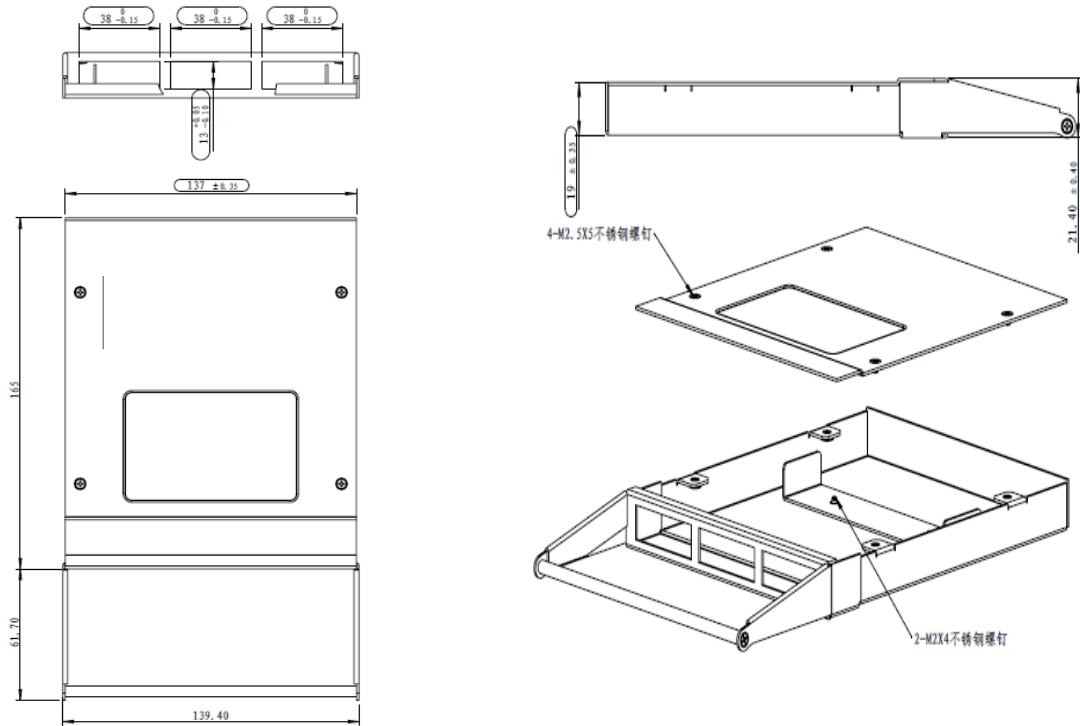
Unit: mm

High-Density Module

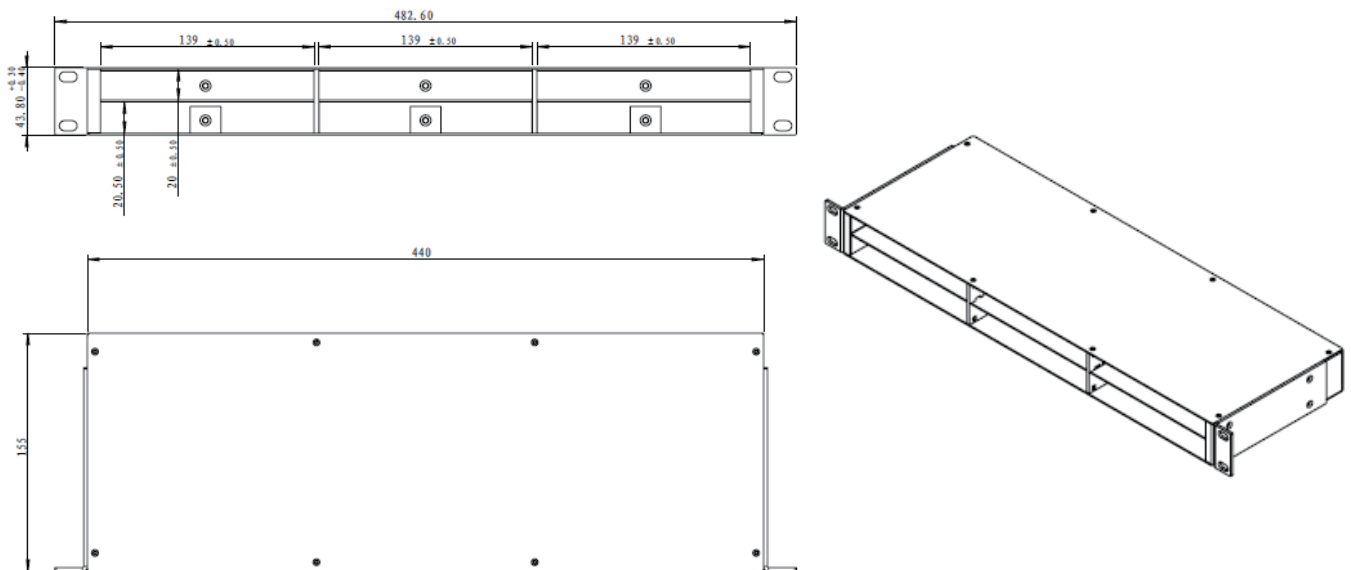
High Density Fused Tap Module

Mechanical Dimensions

Cassette for 12 MTP connectors



Related 19 inch chassis for cassette



All materials used for the module are full RoHS compliant

Unit: mm

High-Density Module

High Density Thin Film Tap Module



Part Number Scheme: Thin Film Type Tap Module

C	P	F	T	A	P								N	
---	---	---	---	---	---	--	--	--	--	--	--	--	---	--

Split Ratio***

- 50 = 50:50
- 40 = 40:60
- 30 = 30:70
- 20 = 20:80
- 05 = 5:95
- 02 = 2:98
- 01 = 1:99

Splitters in cassette

- 02 = 2 splitters
- 04 = 4 splitters
- 12 = 12 splitters*
- 24 = 24 splitters**
- mn = mn splitters

Wavelength

- A = 1310nm
- B = 1550nm
- I = 1310/1550nm
- X = Customized

FiberType

- 1 = SMF-28e+
- 2 = Hi-1060

Package Type

- G = LGX
- H = HD

Connector Type

- 0 = None
- 2 = FC/UPC
- 3 = FC/APC
- 4 = SC/UPC
- 5 = SC/APC
- 6 = ST/UPC
- 7 = LC/UPC
- 8 = LC/APC
- M = MTP 12P
- N = MTP 24P
- O = MPO 12P
- P = MPO 24P
- H = MU/UPC
- X = Customized

Notes:

- * 12 splitters with 36 LC connectors which are full on a half RU cassette's front panel.
- ** 24 splitters with 12 MPO or MTP connectors which are full on a half RU cassette's front panel.
- *** Contact us for different ratio modules.

OptiWorks Headquarters

OptiWorks, Inc.

47211 Bayside Parkway, Fremont, CA 94538, USA
 Phone +1 510 438 4560
 sales@optiworks.com
 www.optiworks.com

OptiWorks (Kunshan) Co., Ltd.

Phone +86 512 5763 0880
 sales_china@optiworks.com

OptiWorks (Shanghai) Co., Ltd.

Phone +86 021 6485 8787
 sales_china@optiworks.com

BizLink International Corp.

Phone +886 2 8226 1000
 sales_tw@bizlinktech.com