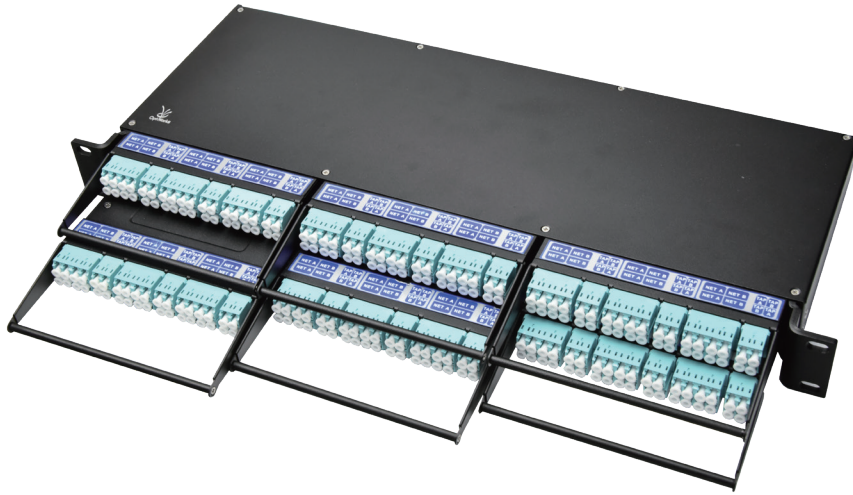


High-Density Module

High Density Thin Film Tap Module



Key Features

- Low Insertion Loss
- High Density Tap Links (36 links in a 19 inch 1RU chassis)
- Easy Installation with Magnet Fixture

Applications

- Network Security Monitoring
- Network Traffic Analysis



High-Density Module

High Density Thin Film Tap Module

Parameter Specifications: MM Tap Modules

Parameters	Performance Specifications	Units
Operating Wavelength	850+/-10	nm
Configuration	1x2	
Split Ratio	50:50 30:70	dB
Insertion Loss	3.9/3.9 2.2/6.2	dB
Return Loss	≥30	dB
Directivity	≥35	dB
Fiber Type	MM 50/125, OM3 or OM4	
Connector / Adapter Type	LC or MTP	
Package Dimension	165x138x18	mm

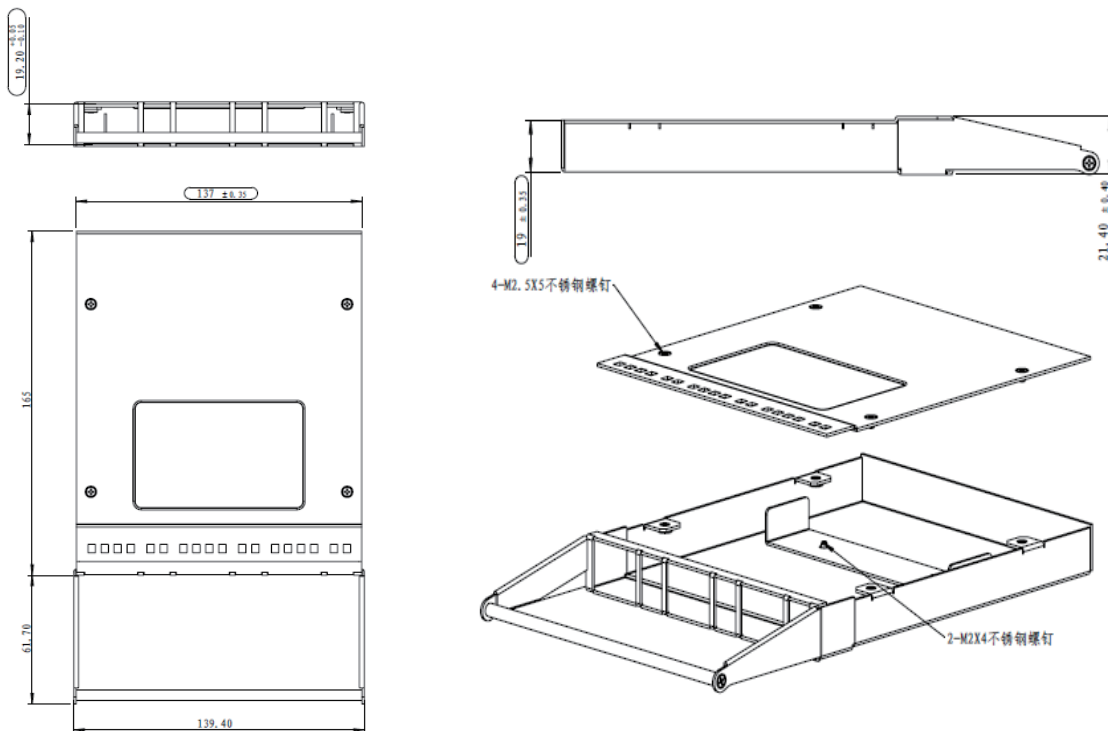
Notes:
1. Above parameters are including connector.

Operating Conditions

Parameters	Performance Specifications	Units
Maximum Power handling	500	mW
Operating Temperature	-5 ~ +70	°C
Storage Temperature	-40 ~ +85	°C

Mechanical Dimensions

Cassette for 36 LC connectors



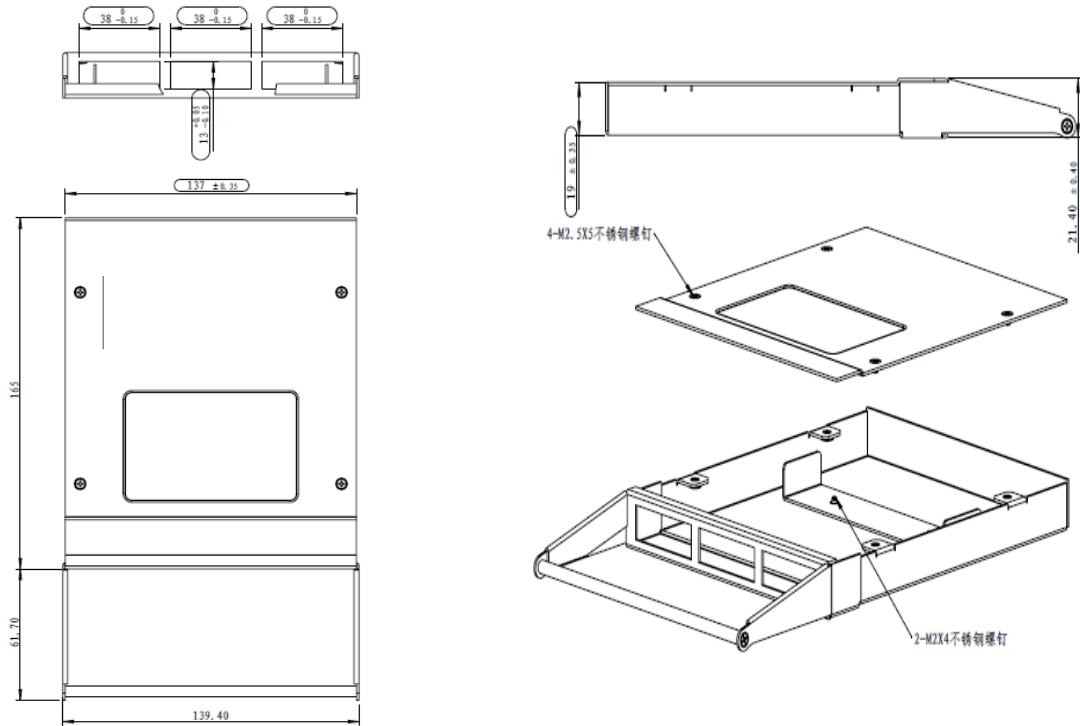
Unit: mm

High-Density Module

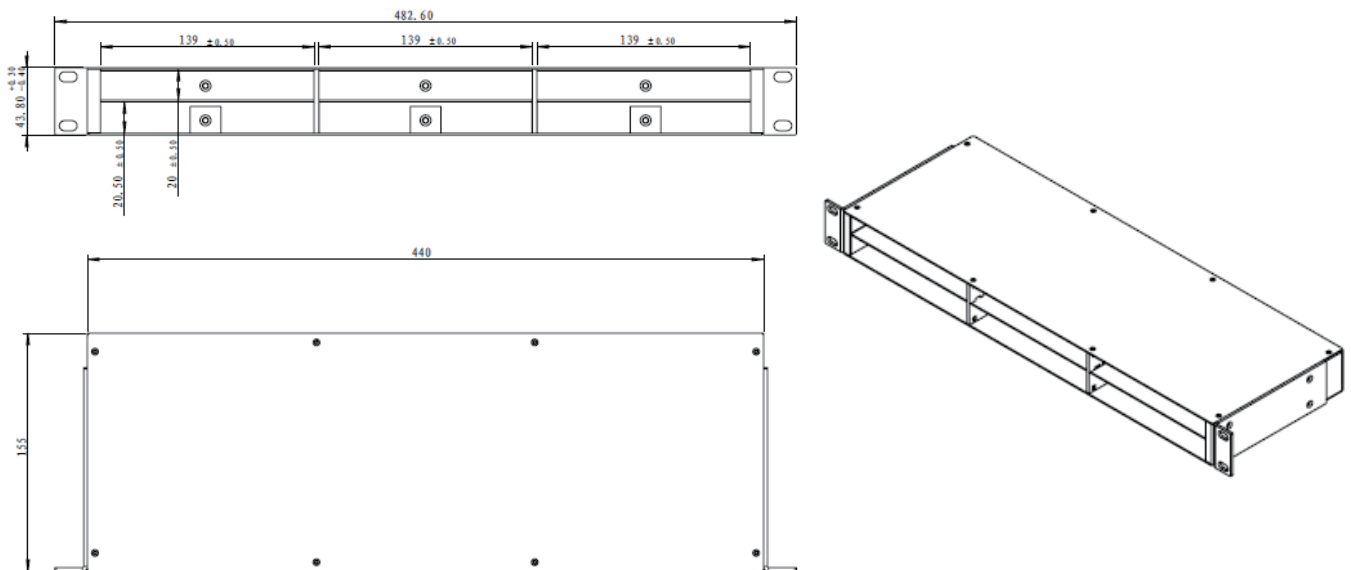
High Density Thin Film Tap Module

Mechanical Dimensions

Cassette for 12 MTP connectors



Related 19 inch chassis for cassette



All materials used for the module are full RoHS compliant

Unit: mm

High-Density Module
High Density Thin Film Tap Module



Part Number Scheme: Thin Film Type Tap Module

C	P	F	T	A	P								N	
---	---	---	---	---	---	--	--	--	--	--	--	--	---	--

Split Ratio***

- 50 = 50:50
- 40 = 40:60
- 30 = 30:70
- 20 = 20:80
- 05 = 5:95
- 02 = 2:98
- 01 = 1:99

Splitters in cassette

- 02 = 2 splitters
- 04 = 4 splitters
- 12 = 12 splitters*
- 24 = 24 splitters**
- mn = mn splitters

Wavelength

- A = 850 nm
- B = 1310 nm
- K = 850/910 nm
- X = Customized

FiberType

- 3 = OM3
- 4 = OM4
- 5 = OM5

Package Type

- G = LGX
- H = HD

Connector Type

- 0 = None
- 2 = FC/UPC
- 3 = FC/APC
- 4 = SC/UPC
- 5 = SC/APC
- 6 = ST/UPC
- 7 = LC/UPC
- 8 = LC/APC
- M = MTP 12P
- N = MTP 24P
- O = MPO 12P
- P = MPO 24P
- H = MU/UPC
- X = Customized

Notes:

- * 12 splitters with 36 LC connectors which are full on a half RU cassette's front panel.
- ** 24 splitters with 12 MPO or MTP connectors which are full on a half RU cassette's front panel.
- *** Contact us for different ratio modules.

OptiWorks Headquarters

OptiWorks, Inc.

47211 Bayside Parkway, Fremont, CA 94538, USA
 Phone +1 510 438 4560
 sales@optiworks.com
 www.optiworks.com

OptiWorks (Kunshan) Co., Ltd.

Phone +86 512 5763 0880
 sales_china@optiworks.com

OptiWorks (Shanghai) Co., Ltd.

Phone +86 021 6485 8787
 sales_china@optiworks.com

BizLink International Corp.

Phone +886 2 8226 1000
 sales_tw@bizlinktech.com