

Key Features

- Ultra-compact
- Based on TFF technology
- Ultra-low Insertion loss
- Stable at wide range of operating temperatures
- One side fiber feedthrough

Applications

- DWDM networks, NG-PON2, 5G xHaul, Phased Array Antennas, Airborne/Satellite Communications.



Ultra Compact WDM

Ultra Compact DWDM (100G/200G)



Parameter Specifications

Parameters	4 Channels	8 Channels	12 Channels	16 Channels	20 Channels	Units
Insertion Loss	≤1.3	≤1.5	≤1.8	≤2.0	≤2.6	dB
Ripple	≤0.5	≤0.5	≤0.5	≤0.5	≤0.5	dB
Polarization Dependent Loss	≤0.3	≤0.3	≤0.3	≤0.3	≤0.3	dB
Dimension	25 x 12.8 x 6.5	30 x 16 x 6.5	39 x 24 x 6.5	39 x 24 x 6.5	39 x 27 x 6.5	mm
Channel Center Wavelengths	ITU					nm
Channel Spacing	100G:0.8					nm
	200G:1.6					
Channel Passband	100G: $\lambda_c \pm 0.11$ (Min.)					nm
	200G: $\lambda_c \pm 0.25$ (Min.)					
Isolation-Adjacent	≥ 30					dB
Isolation-Non-adjacent	≥ 40					dB
Return Loss	≥ 45					dB
Directivity	≥ 50					dB

Notes:

1. The above specs exclude connector loss, each pair of connectors.add 0.2dB.

Operating Conditions

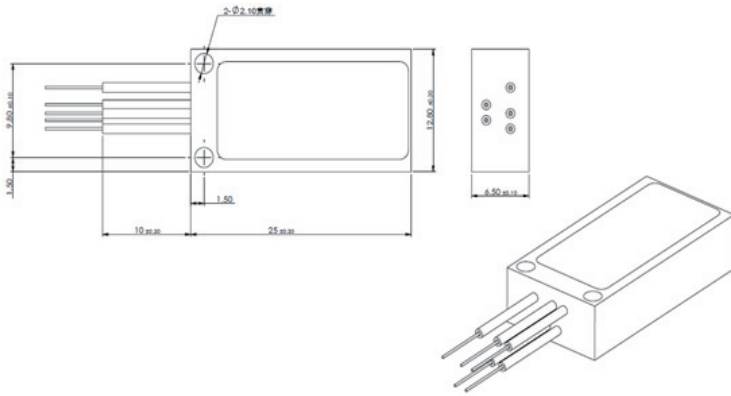
Parameters	4 Channels	8 Channels	12 Channels	16 Channels	20 Channels	Units
Maximum Power handling	500					mW
Operating Temperature*	-5 ~ +70					°C
Storage Temperature	-40 ~ +85					°C
Operation Humidity	5 to 95 % Relative Humidity					

* Contact us for your Industrial temperature application.

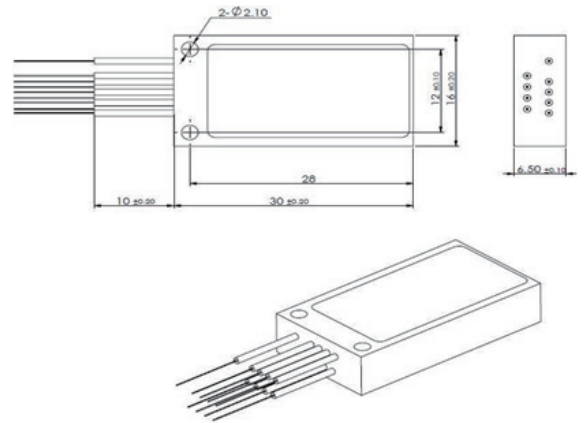
Ultra Compact WDM
Ultra Compact DWDM (100G/200G)

Mechanical Dimensions

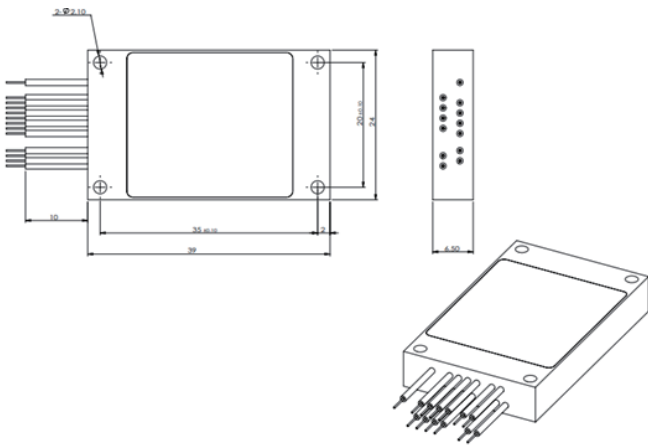
4 Channels



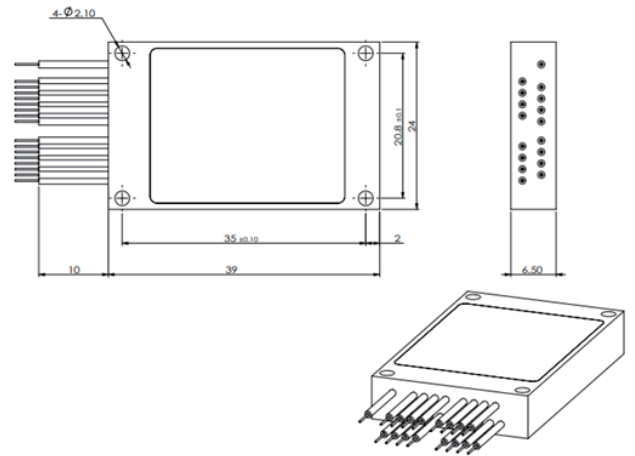
8 Channels



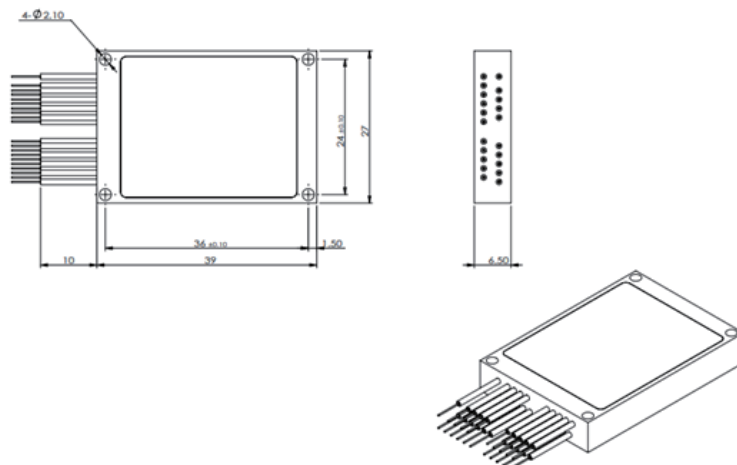
12 Channels



16 Channels



20 Channels

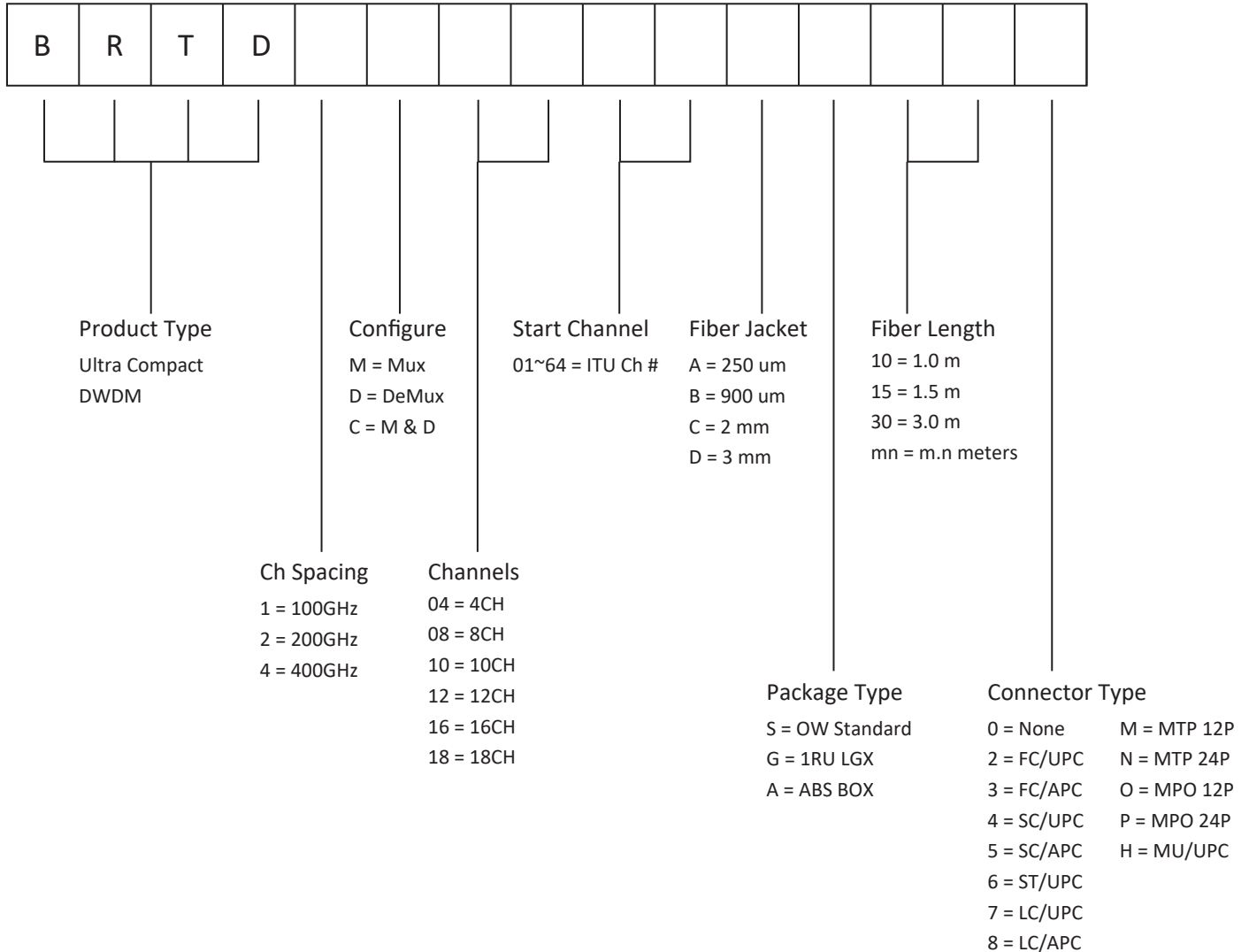


Unit: mm

Ultra Compact WDM
Ultra Compact DWDM (100G/200G)



Part Number Scheme: 100GHz/ 200GHz/ 400GHz Ultra Compact DWDM Modules



Notes: Fiber type used for this product: XB G657 .A1

Notice: Our spec temperature (N) is commercial temp. range -5 ~ 70 °C. Please contact us if you need industrial temperature (T) range -40 ~ 80 °C. Or extender range of (E) -20~80 °C

OptiWorks Headquarters

OptiWorks, Inc.
 47211 Bayside Parkway, Fremont, CA 94538, USA
 Phone +1 510 438 4560
 sales@optiworks.com
 www.optiworks.com

OptiWorks (Kunshan) Co., Ltd.

Phone +86 512 5763 0880
 sales_china@optiworks.com

OptiWorks (Shanghai) Co., Ltd.

Phone +86 021 6485 8787
 sales_china@optiworks.com

BizLink International Corp.

Phone +886 2 8226 1000
 sales_tw@bizlinktech.com

© 2021 BizLink Group. All rights reserved.
 BizLink, OptiWorks, and other trademarks are the trademarks of BizLink Group or its subsidiaries.
 Performance is based on target specifications, simulated results, and/or prototype measurements. Commitment to develop is not guaranteed.
 Specifications are subject to change without prior notice. May 2021