



Key Features

- Low Insertion Loss
- Compact Design
- Good Uniformity
- Wide Operating Wavelength

Applications

- FTTx
- PON Networks
- CATV Links



Parameter Specifications (1xN Modules)

Parameters	Performance Specifications						Units
Operating Wavelength	1260 ~ 1600						nm
Split Ratio	Even						%
Configuration	1 x 2	1 x 4	1 x 8	1 x 16	1 x 32	1 x 64	
Maximum Insertion Loss @ 25 °C	≤4.0	≤7.2	≤10.5	≤13.8	≤17.5	≤21.0	dB
Maximum Uniformity @25°C	≤0.4	≤0.8	≤1.0	≤1.5	≤2.0	≤2.5	dB
PDL	0.2	0.3	0.3	0.4	0.45	0.5	dB
Package	40 × 4 × 4	40 × 4 × 4	40 × 4 × 4	50 × 7 × 4	50 × 7 × 4	60 × 12 × 4	mm
Directivity	≥55						dB
Return Loss	≥55						dB
Fiber Length	>1.0						m
Fiber Type	Corning SMF-28e ⁺						

Notes:

1. The above parameters do not include connector, each pair connector adds 0.2dB.

Parameter Specifications (2xN Modules)

Parameters	Performance Specifications				Units
Operating Wavelength	1260 ~ 1600				nm
Split Ratio	Even				%
Configuration	2 x 4	2 x 8	2 x 16	2 x 32	
Maximum Insertion Loss @ 25 °C	≤7.6	≤10.8	≤14.0	≤17.5	dB
Maximum Uniformity @25°C	≤1.0	≤1.0	≤1.5	≤2.0	dB
PDL	0.3	0.3	0.4	0.45	dB
Package	40 × 4 × 4	40 × 4 × 4	55 × 7 × 4	55 × 7 × 4	mm
Directivity	≥55				dB
Return Loss	≥55				dB
Fiber Length	≥1.0				m
Fiber Type	Corning SMF-28e ⁺				

Not

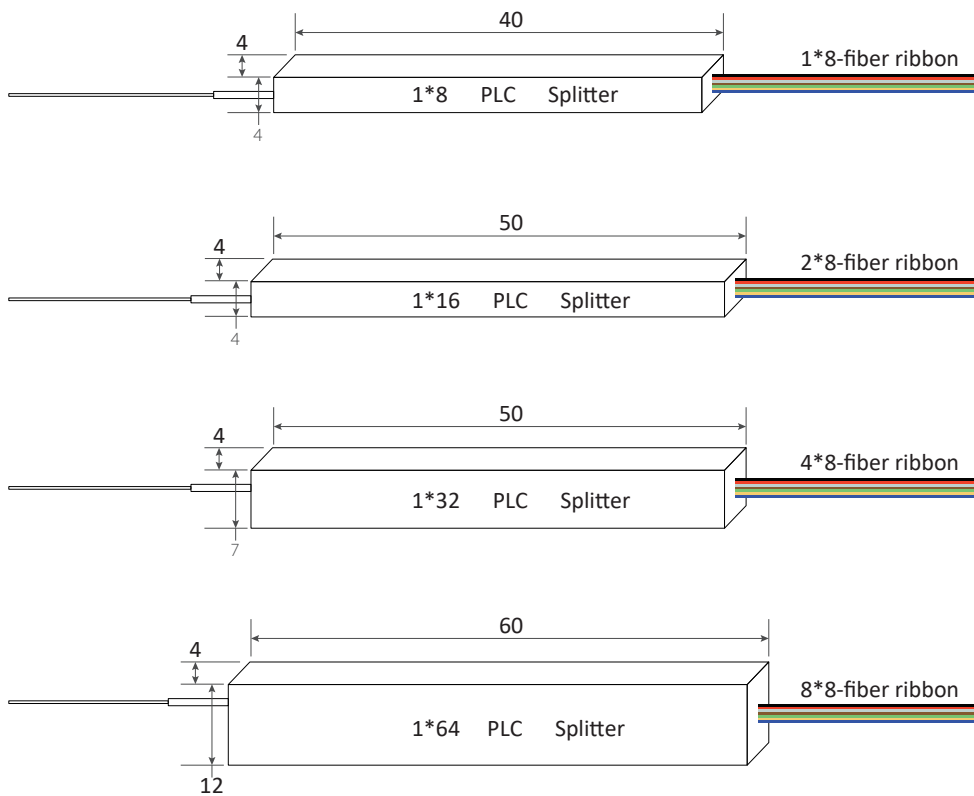
1. The above parameters do not include connector, each pair connector adds 0.2dB.

Operating Conditions

Parameters	Performance Specifications	Units
Maximum Power handling	500	mW
Operating Temperature	-40 ~ +85	°C
Storage Temperature	-40 ~ +85	°C
Operation Humidity	5 to 95 % Relative Humidity	

Mechanical Dimensions

1xN size reference



Unit: mm

Part Number Scheme: PLC Splitter



Wavelength

A = 1310 nm
B = 1550 nm
C = 1260~1620 nm

Fan-out configure

00 = no fan-out
10 = fan-out 10cm
12 = fan-out 12cm
15 = fan-out 15cm
20 = fan-out 20cm

Jacket Type

A = 250 um
B = 900 um
C = 2 mm
D = 3 mm
X = Customized

Fiber Length

00 = None
10 = 1.0 m
15 = 1.5 m
30 = 3.0 m
mn = m.n meters

Configuration

M = 1, 2
N = 2,3,4,8,A,B,C

Example:

1A = 1x16
1B = 1x32
1C = 1x64

Fiber Type

SM = SMF-28e+
XB = XB (G657.A1)

Package Type

S = Standard
A = ABS
L = Aluminum
G = LGX
X = Customized

Connector Type

0 = None	M = MTP 12P
2 = FC/UPC	N = MTP 24P
3 = FC/APC	O = MPO 12P
4 = SC/UPC	P = MPO 24P
5 = SC/APC	H = MU/UPC
6 = ST/UPC	X = Customized
7 = LC/UPC	
8 = LC/APC	

OptiWorks Headquarters

OptiWorks, Inc.

47211 Bayside Parkway, Fremont, CA 94538, USA
Phone +1 510 438 4560
sales@optiworks.com
www.optiworks.com

OptiWorks (Kunshan) Co., Ltd.

Phone +86 512 5763 0880
sales_china@optiworks.com

OptiWorks (Shanghai) Co., Ltd.

Phone +86 021 6485 8787
sales_china@optiworks.com

BizLink International Corp.

Phone +886 2 8226 1000
sales_tw@bizlinktech.com