

### Key Features

- Fast Switching Speed
- Low Insertion Loss
- Wide Wavelength Range
- Low Optical Return Loss
- Low Cross Talk

### Applications

- Configurable Add/Drop
- Network Route Protection
- Laboratory R&D



# Optical Switch/ VOA

## Octo 2x2 Optical Switch

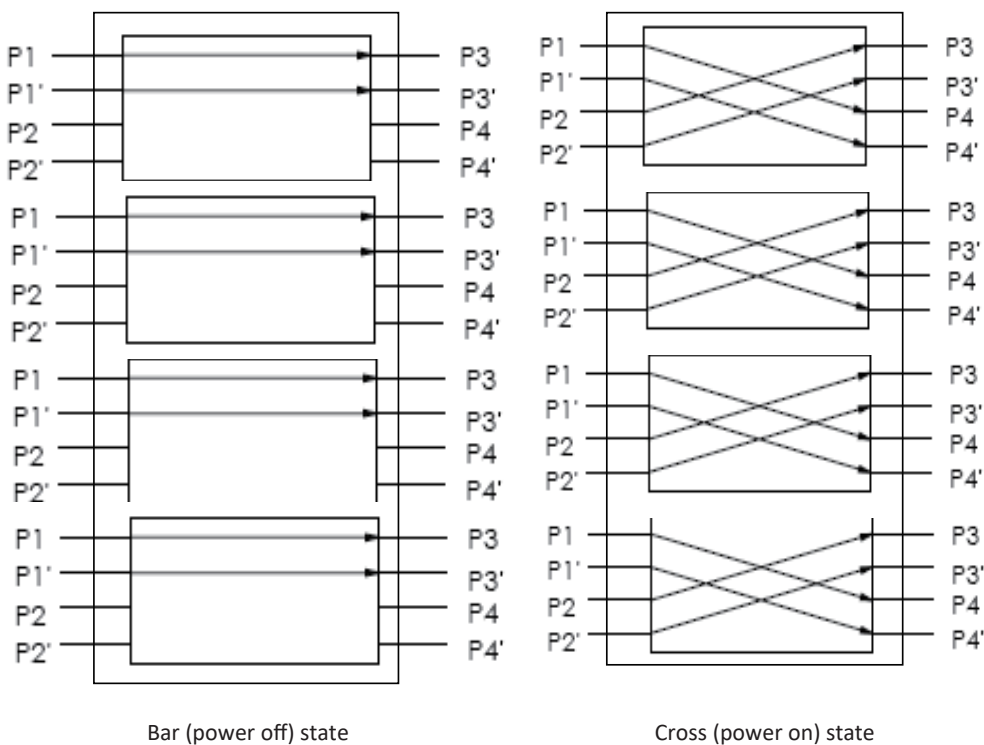
### Parameter Specifications: Optical Switch

Parameters	Performance Specifications	Units
Wavelength Range	850+/-20	nm
Operating Wavelength	850	nm
Switching Time	≤7.5	ms
Insertion Loss (@25 °C )	≤1.0	dB
Cross Talk	≥35	dB
Repeatability (100 cycles)	≤±0.05	dB
Optical Return Loss	≥35	dB
Input Optic Power	≤500	mW
Life Cycles	≥10 <sup>7</sup>	
Fiber Type	OM3, OM4, OM5 (customer optional)	
Optical Connector / Adapter Type	MTP/MPO	
Switch Type	Non Latching	
Operating Temperature	-20 ~ +70	°C
Storage Temperature	-40 ~ +85	°C
Switching Voltage	4.5 ~ 5.5	V
Switching Current	<120	mA
Dimension	37.2 × 21.5 × 14.5	mm

**Notes:**

1. Spec loss values are measured without connector. Each pair of connector should add 0.2dB.

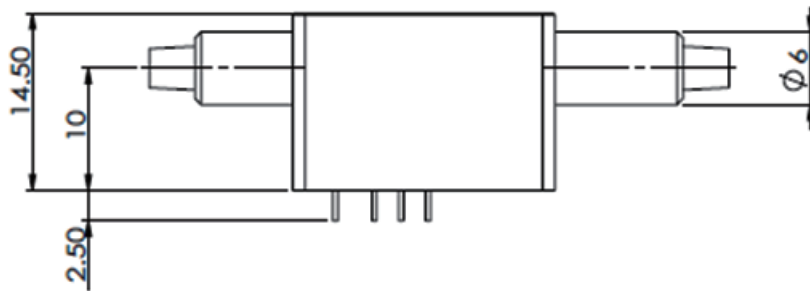
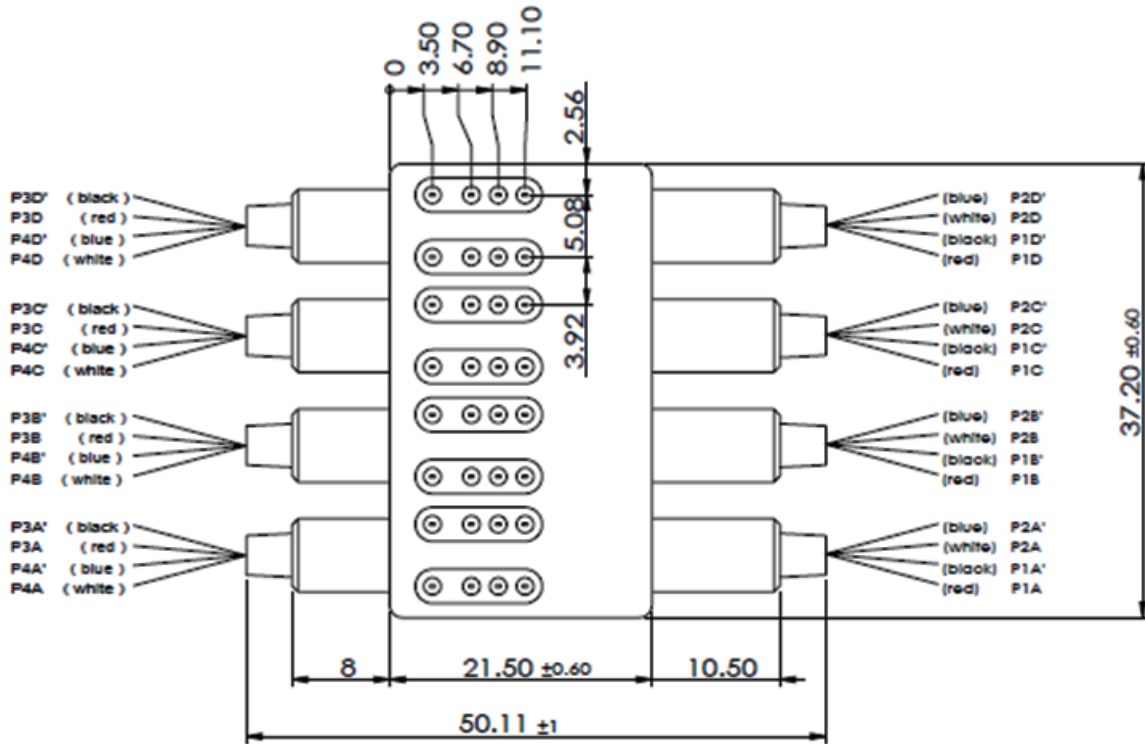
### Light Path



# Optical Switch/ VOA

## Octo 2x2 Optical Switch

### Mechanical Dimensions



Unit: mm

### Pin Configuration

Parameters	Pins	Electric Drive		Status Sensor			
2x2	Optical Path	1	8	2-3	3-4	5-6	6-7
	P1-P3 \ P1'-P3'			Close	Open	Open	Close
Non-latching	P1-P4 \ P2-P3	V+	GND	Open	Close	Close	Open
	P1'-P4' \ P2'-P3'	V+	GND	Open	Close	Close	Open

**Optical Switch/ VOA**  
**Octo 2x2 Optical Switch**



**Part Number Scheme: Optical Switch**

S	W	T									N			
---	---	---	--	--	--	--	--	--	--	--	---	--	--	--

**Latching Type**

L = Latching  
 N = No Latching

**Configuration**

11 = 1x1  
 12 = 1x2  
 22 = 2x2  
 14 = 1x4  
 18 = 1x8  
 1A = 1X12

**Module Density**

S = Single  
 D = Dual  
 Q = Quad  
 O = Octo

**Switch Type**

B = Bypass  
 F = Full

**Fiber Type**

1 = SMF-28e+  
 2 = XB, G657.A1  
 3 = OM3  
 4 = OM4  
 5 = OM5

**Jacket Type**

A = 250 um  
 B = 900 um  
 C = 2 mm  
 D = 3 mm

**Fiber Length**

10 = 1.0 m  
 15 = 1.5 m  
 30 = 3.0 m  
 mn = m.n meters

**Wavelength**

A = 1290-1330 nm  
 B = 1525-1575 nm  
 C = 1525-1610 nm  
 I = 1290-1330 nm & 1525-1610 nm  
 K = 840-860 nm

**Connector Type**

0 = None  
 2 = FC/UPC  
 3 = FC/APC  
 4 = SC/UPC  
 5 = SC/APC  
 6 = ST/UPC  
 7 = LC/UPC  
 8 = LC/APC  
 M = MTP 12P  
 N = MTP 24P  
 O = MPO 12P  
 P = MPO 24P  
 H = MU/UPC

**OptiWorks Headquarters**

**OptiWorks, Inc.**

47211 Bayside Parkway, Fremont, CA 94538, USA  
 Phone +1 510 438 4560  
 sales@optiworks.com  
 www.optiworks.com

**OptiWorks (Kunshan) Co., Ltd.**

Phone +86 512 5763 0880  
 sales\_china@optiworks.com

**OptiWorks (Shanghai) Co., Ltd.**

Phone +86 021 6485 8787  
 sales\_china@optiworks.com

**BizLink International Corp.**

Phone +886 2 8226 1000  
 sales\_tw@bizlinktech.com