

DWDM Module

Key Features

- ◆ Low Insertion loss
- ◆ Standard ITU channel
- ◆ High channel isolation
- ◆ Epoxy-free Optical path
- ◆ Stable performance



Applications

- ◆ DWDM System
- ◆ CATV networks

Parameter Specifications

Parameters	Unit	1 Channels	2 Channels	4 Channels	6 Channel	8 Channel
Insertion Loss (Add/Drop)	dB	≤0.7	≤1.0	≤1.6	≤2.2	≤2.8
Ripple	dB	≤0.5	≤0.5	≤0.5	≤0.5	≤0.5
Polarization Dependent Loss	dB	≤0.2	≤0.2	≤0.2	≤0.2	≤0.2
Dimension	mm	80x58x8	80x58x8	80x58x8	80x58x8	100x80x10
Channel Center Wavelengths	nm	ITU Grid				
Channel Spacing	GHz	100 or 200				
Channel Passband	nm	100G:λ _c ± 0.11 200G:λ _c ± 0.25				
Isolation-Adjacent	dB	≥30				
Isolation-Non-adjacent	dB	≥40				
Return Loss	dB	≥45				
Directivity	dB	≥50				

Notes: The above specs exclude connector loss, each pair of connector adds 0.25dB

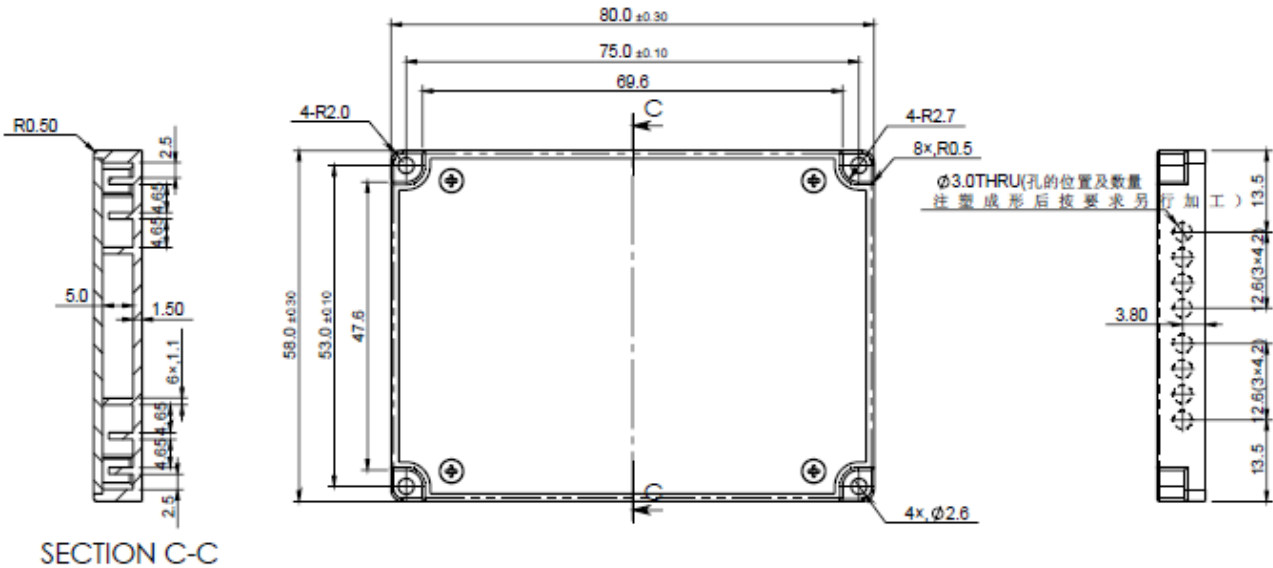
Operating Conditions

Parameters	Unit	Specification
Maximum Power handling	mW	500
Operating Temperature*	°C	-5 ~ +70
Storage Temperature	°C	-40 ~ +85
Operation Humidity	-	5 to 95 % Relative Humidity

* Contact us for your Industrial temperature application.

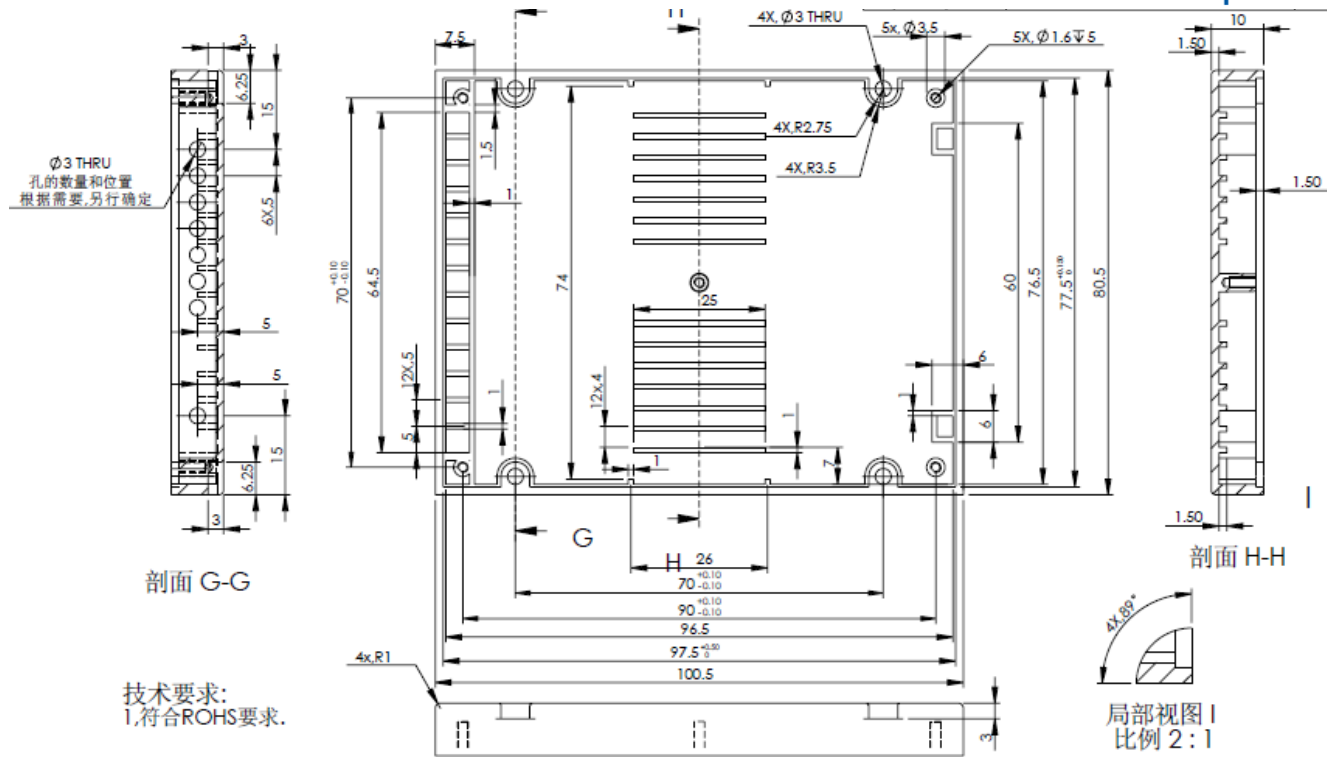
Mechanical Dimensions

- 1~4 Channels DWDM mechanical Dimension:

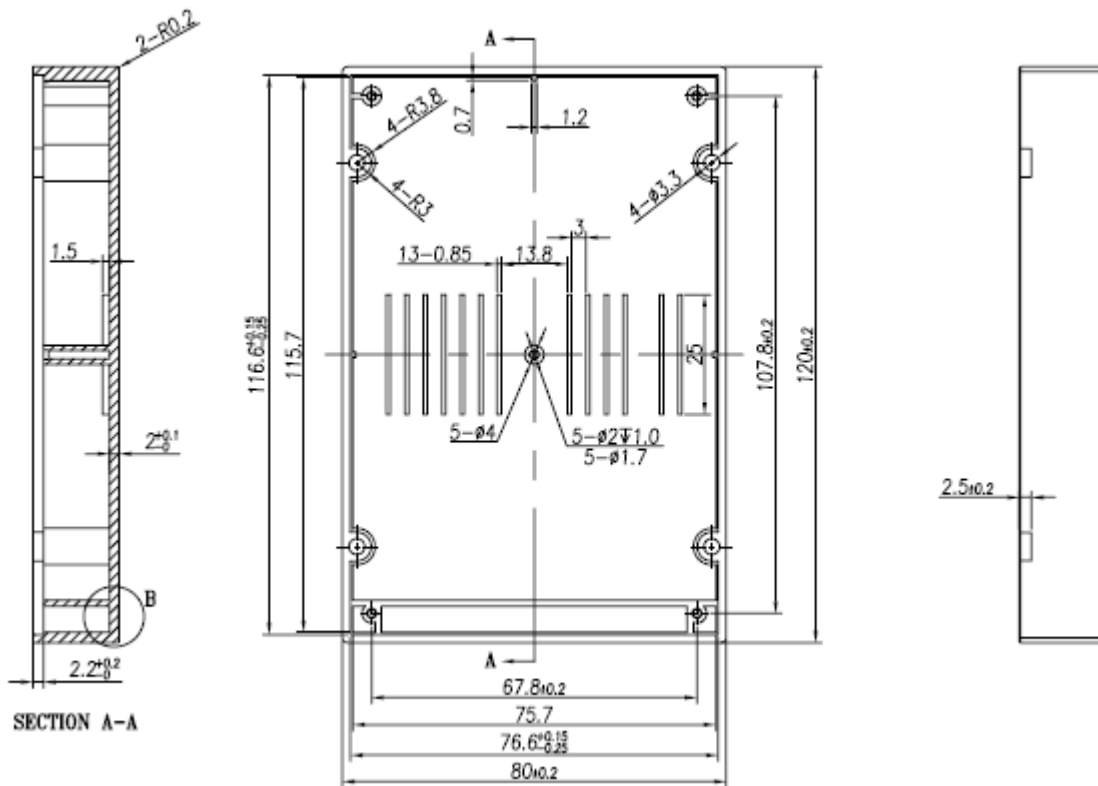


- 4~6 Channels DWDM mechanical Dimension:

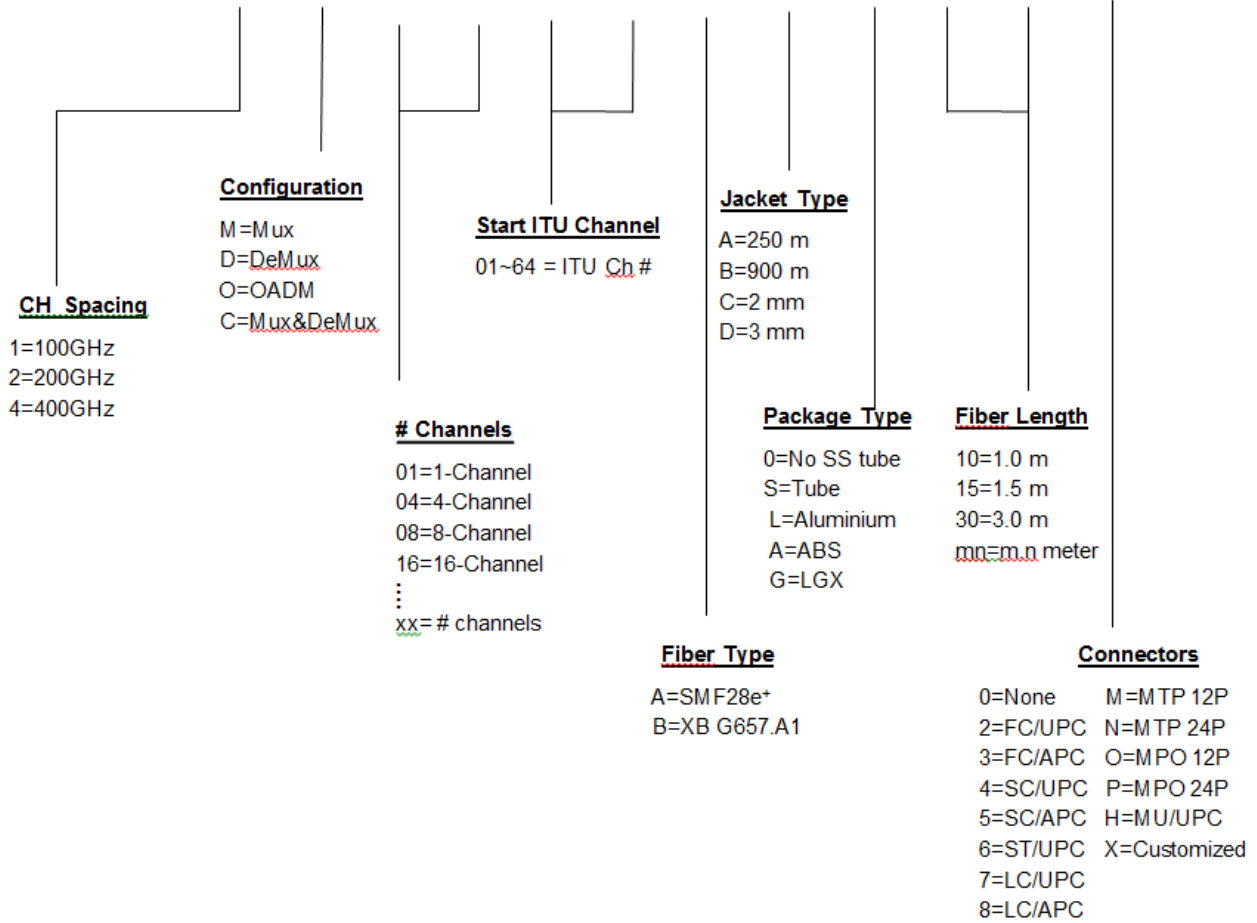
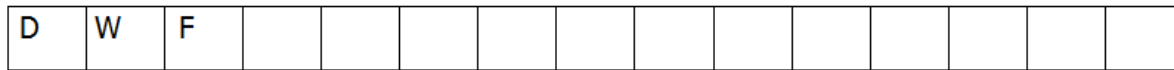
DWDM Module



● **8~16 Channels DWDM mechanical Dimension:**



Part Number Scheme: DWDM Modules



|